

THE SABER LIGHT

ATD-80027

15 Watt Long Light w/25' Cord

Owner's Manual

Features And Specifications:

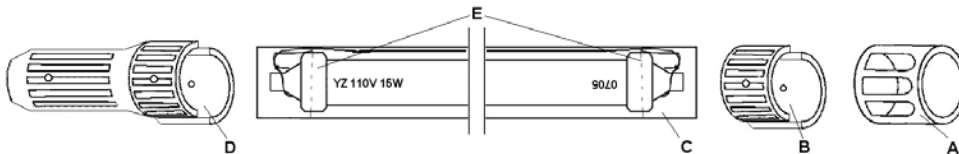
- 15W super bright fluorescent bulb provides 90 Lux brightness
- 25 ft 18/2 SJT cord remains flexible in cold weather
- Drop resistant with high impact Lexan lens
- Rubber bumpers provide extra drop protection
- Includes 360° flexible ratcheting hook

Operating instructions

Simply plug into any 120 VAC outlet and turn on by pressing top of switch. To turn off, depress bottom of switch.

To Change Bulb:

- Unplug unit from power supply
- Remove end bumper(A) and unscrew end cap(B). Pull halves apart to remove cap.
- Remove rubber handle protector and unscrew handle (D) in two places. Pull halves apart to remove.
- Slide Clear tube (C) from around bulb.
- Unplug each end of bulb and replace with a new bulb.
- Assembly is the reverse of disassembly. Make sure to align holes in white bulb protector/plugs with the posts in the end bumper and in the handle assembly so that the halves will snap together before you tighten screws.

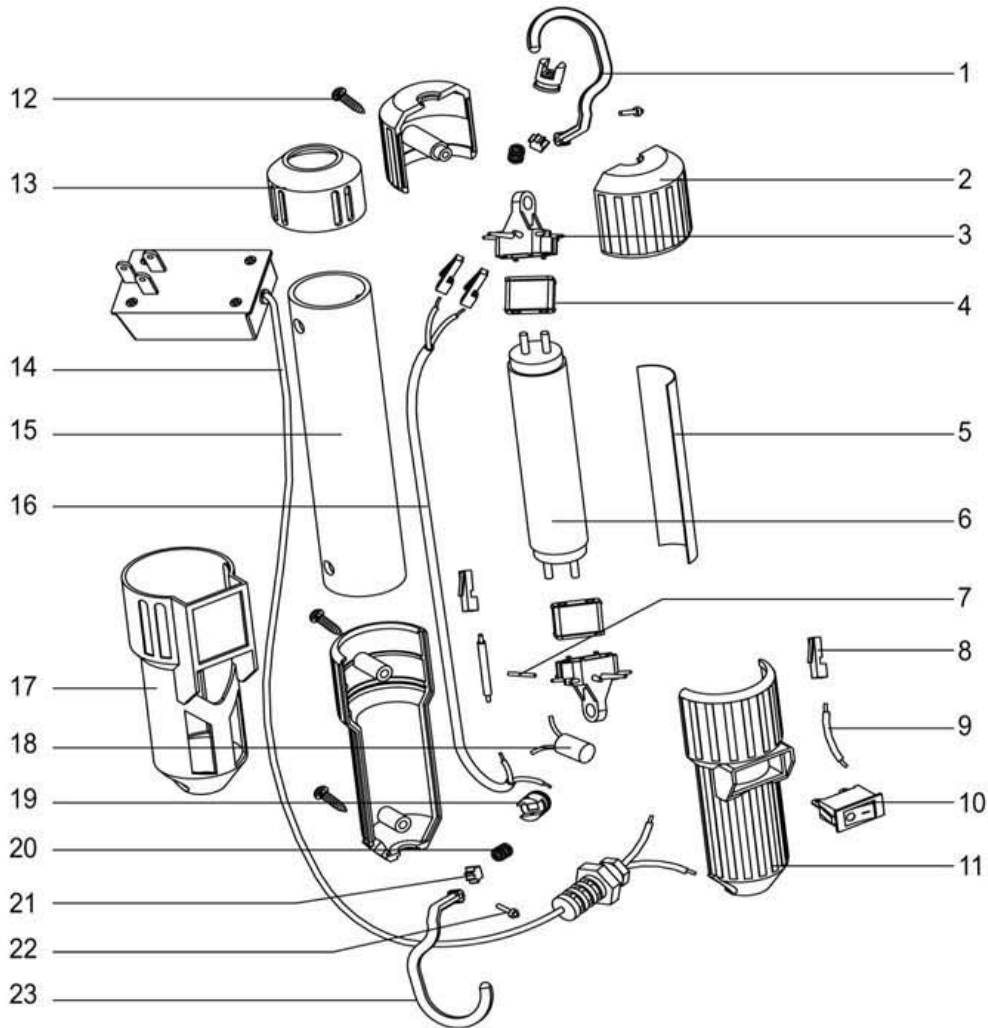


Cautions

- **Do NOT service this light while it is plugged in.** It may cause electrical shock
- **Do NOT submerge in water.** – It may cause electrical shock and/or fires. To clean, wipe with damp cloth only, do not use solvents, and clean only when the unit is unplugged from power source.
- **Do NOT use this lamp in explosive atmosphere** - Near flammable liquids or where explosion proof lamps are required.
- The warnings, cautions, and instructions discussed in this instruction manual cannot cover all possible conditions and situations that may occur. It must be understood by the operator that common sense and caution are factors which cannot be built into this product, but must be supplied by the operator.

ATD

ATD-80027



Overall length of light - 24"
Effective length of bulb/lens - 17.3/4"

ITEM#	ORDERING PART#	PART DESCRIPTION
1	PRT80027-01	HOOK, UPPER
2	PRT80027-02	CAP, CLEAR TUBE
3	PRT80027-03	SUPPORT, LAMP HOLDER
4	PRT80027-04	LAMP HOLDER
5	PRT80027-05	REFLECTOR
6	PRT80027-06	TUBE, 15W
7	PRT80027-07	PIN
8	PRT80027-08	TERMINAL
9	PRT80027-09	CONNECTING WIRE
10	PRT80027-10	SWITCH
11	PRT80027-11	HANDLE
12	PRT80027-12	SCREW

ITEM#	ORDERING PART#	PART DESCRIPTION
13	PRT80027-13	SLEEVE, CAP
14	PRT80027-14	POWER CORD, 25'
15	PRT80027-15	CLEAR TUBE
16	PRT80027-16	CONNECTING WIRE
17	PRT80027-17	HANDLE SLEEVE
18	PRT80027-18	STARTER
19	PRT80027-19	HOOK HOLDER
20	PRT80027-20	SPRING
21	PRT80027-21	PROP
22	PRT80027-22	RIVET
23	PRT80027-23	HOOK LOWER